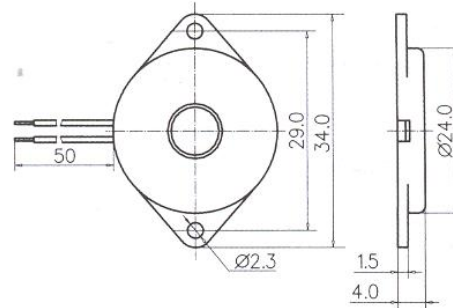


Product Data Sheet

Part No. PT-2404 Non-Washable Type

DIMENSIONS

PT-2404



φ 24.0 × H4.0

Type	Unit	PT-2404
Rated Voltage Square Wave	(Vpp)	15
Operating Voltage	(Vpp)	1~30
Current Consumption	(mA)	< or = 8
Capacitance at 120 Hz	(pF)	18000±30%
Sound Output (Min)	(dB)	> or = 90
Resonant Frequency	(Hz)	5500±700
Operating Temp	(C)	-20~+70
Storage Temp	(C)	-30~+80
Weight	(g)	1.9
Dimension	mm	24 x H4
*Value applying at rated voltage		
*distance for measurement 10cm		

FREQUENCY RESPONSE

